



# DS8108 and DS8108-HC Series Imagers

## Accessory Guide



# Customize Your Solution With A Full Range Of Accessories



We offer a choice of power supplies, battery packs, capacitors, USB adapters, mounts and holsters to fit every barcode scanning need. Enhance productivity for your workforce with accessories designed to complement and enhance scanner operation. Part numbers may vary by region.

# Stands and Cups

- Non-weighted Stands

- Part Numbers:

- 20-71043-04R
  - Gooseneck Intellistand, Black (DS2208, DS4308, DS4608, DS8108)
- 20-71043-0BR
  - Gooseneck Intellistand, HC White (DS2208, DS4308, DS4608, DS8108)
- STND-GS004XC-07
  - Universal Gooseneck Intellistand, Black (LS2208, LI2208, LS4208, DS2208, DS4208, DS4308, DS4608, DS8108)



# Stands and Cups, continued

- Weighted Stands

- Part Numbers:

- 22-71043-0BR
  - Gooseneck Intellistand, Weighted, HC White (DS2208, DS4308, DS4608, DS8108)
- STND-AS004XC-07
  - Intellistand, Black (DS2208, DS4308, DS4608, DS8108)
- STND-DC1081C-04
  - Document Capture Stand for Use with DS8108-SR or DS8108-DL, Black
- 21-71159-07
  - Intellistand, Base Only, Twilight Bla



# Stands and Cups, continued

- Cups

- Part Numbers:

- CUP-AS004XC-07

- Intellistand Cup (DS4208, DS4308, DS4608, DS2208, DS8108), Twilight Black

- 21-71043-04R

- Cup, Black (DS2208, DS4308, DS4608, DS8108)

- 21-71043-0BR

- Cup, HC White (DS2208, DS4308, DS4608, DS8108)

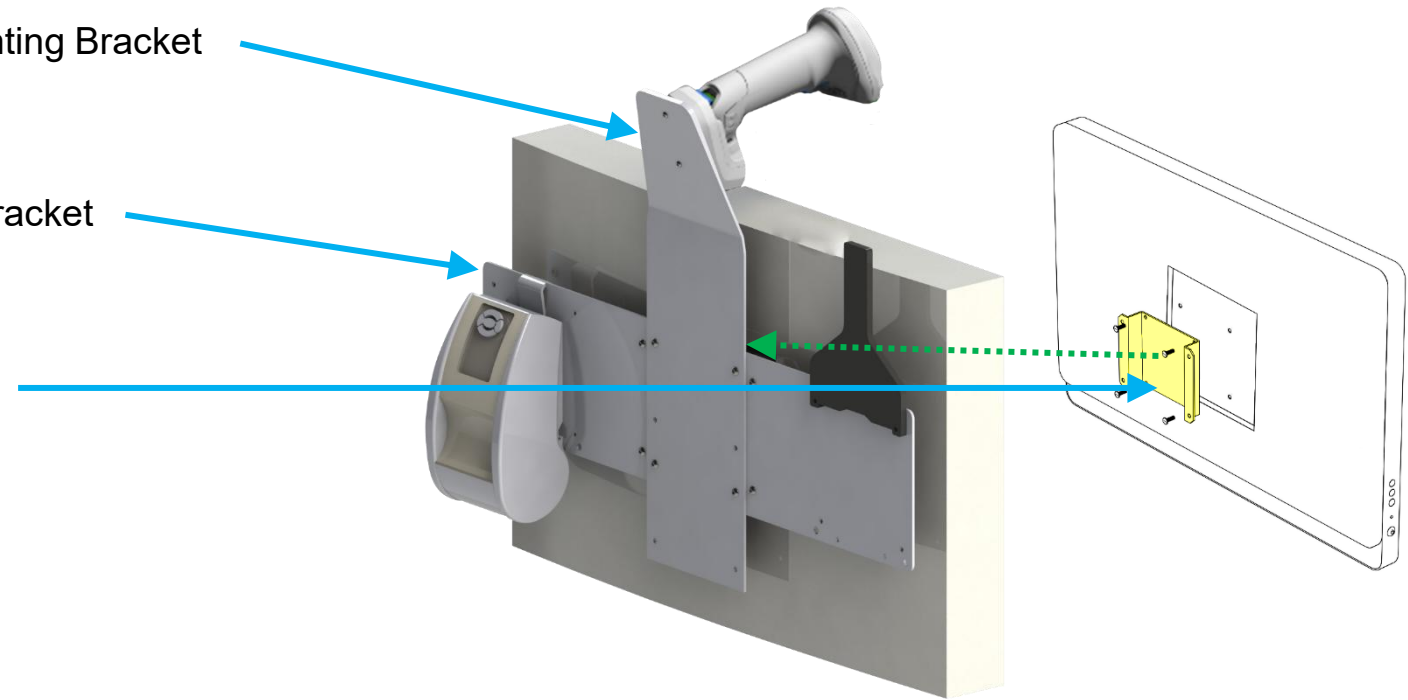


# 3<sup>rd</sup> Party Mounts – Creative Mounting Solutions

Part Numbers: [Items Sold Separately](#)

- 3PTY-CM-PN5721-A
  - Vertical Hands Free DS8178-HC or DS8288-HC Mounting Bracket
- 3PTY-CM-PN5722-A
  - Horizontal ZQ610 Plus Healthcare Printer Mounting Bracket
- 3PTY-CM-PN5234-A
  - Off-Set Bracket for Monitor and Printer Configurations

REAR VIEW  
**3PTY-CM-PN5721-A**  
(with 3PTY-CM-PN5234-A & 3PTY-CM-5722-A)



# Power Supplies and Line Cords

- 5V Power Supplies

- Part Numbers:

- PWR-WUA5V4W0XX where XX = US, BR, CN, EU, IN
  - Level VI AC/DC Power Supply Wall Adapter, with Captive DC Cable and country specific adapter Clip. AC Input: 100-240V, 0.2A DC. Output: 5.2V, 1.1A, 5.7W
- PWR-WUA5V4W0WW
  - Power Supply: 5VDC, 850mA, Level VI Compliant



# Optional Power Supplies and Line Cords, continued

## Wall Charger – Power Supply

### PWR-WUA5V12W0XX

Power Supply-100-240 VAC, 5 V, 2.5 A with country specific plugs.



Country	Power Supply Part Number
United States	PWR-WUA5V12W0US
Great Britain	PWR-WUA5V12W0GB
Europe	PWR-WUA5V12W0EU
Australia	PWR-WUA5V12W0AU
China	PWR-WUA5V12W0CN
Argentina	PWR-WUS5V12W0AR
Brazil	PWR-WUA5V12W0BR
Korea	PWR-WUA5V12W0KR
India	PWR-WUA5V12W0IN



AG-DS8108 Dec 10 2025

ZEBRA and the stylized Zebra head are trademarks of Zebra Technologies Corp., registered in many jurisdictions worldwide. All other trademarks are the property of their respective owners. ©2025 Zebra Technologies Corp. and/or its affiliates. All rights reserved.