

# Zebra Kiosk System Accessories Guide

Revised September 2025



 **ZEBRA**



# Z-Flex Connectors



SKU#	Description
	Z-FLEX SCANNER
ZFLX-SCNR-E00	<ul style="list-style-type: none"> <li>• Uses SE4720 scan engine</li> <li>• Connects to Z-Flex connector (USB-C port) on any side of KC50</li> <li>• Includes two screws for securing to KC50</li> </ul>



SKU#	Description
	Z-FLEX LIGHT BAR
ZFLX-LTBAR-200	<ul style="list-style-type: none"> <li>• Two-sided light bar</li> <li>• Connects to Z-Flex connector (USB-C port) on any side of KC50</li> <li>• RGB colors</li> <li>• Includes two screws for securing to KC50</li> </ul>



## VESA Mounting Capability

All KC50 and TD50 support standard VESA 75x75mm and 100x100mm mounts

KC50 Kiosk Computer



KC50 Kiosk Computer



TD50 Touch Display

# Accessories that power device

## Power supply, cables, and adaptors



### Power supply

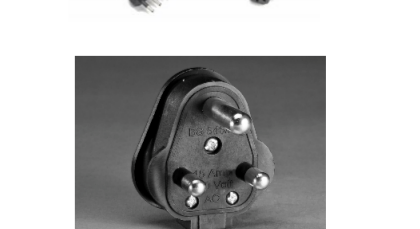
SKU#		Note
<a href="#">PWR-BGA24V78W4WW</a>	AC/DC POWER SUPPLY. 5.5/2.5 PLUG. AC INPUT: 100-240V, 1.4ADC OUTPUT: 24V, 3.25A, 78W.	Requires: country specific grounded AC line cord



### Country-specific AC line cords: grounded, 3-prong

Cord availability does not imply KC50 country certification. Please confirm with your Zebra representative

SKU#	Country / region	Note
<a href="#">23844-00-00R</a>	North America (United States, Canada, Mexico)	7.5 feet long Commonly used with chargers mounted in server racks
<a href="#">50-16000-678R</a>	North America (United States, Canada, Mexico)	3 feet long
<a href="#">50-16000-221R</a>	North America (United States, Canada, Mexico)	6 feet long
<a href="#">50-16000-727R</a>	Brazil	1.8 meters (6 feet) long
<a href="#">50-16000-680R</a>	Argentina	1.8 meters (6 feet) long
<a href="#">50-16000-217R</a>	American Samoa, Australia, New Guinea	1.8 meters (6 feet) long
<a href="#">50-16000-218R</a>	Japan	1.8 meters (6 feet) long
<a href="#">50-16000-219R</a>	Antigua, Bermuda, Burma, Channel Islands, Hong Kong, Iraq, Ireland, Malaysia, North Ireland, Scotland, Singapore, United Kingdom, Wales	1.8 meters (6 feet) long
<a href="#">50-16000-220R</a>	Europe, Abu Dhabi, Bolivia, Dubai, Egypt, Iran, Korea, Vietnam	1.8 meters (6 feet) long
<a href="#">50-16000-671R</a>	Italy	1.8 meters (6 feet) long
<a href="#">50-16000-669R</a>	India, S. Africa, Africa	1.8 meters (6 feet) long



## USB cable – Connect your KC50 to a TD50 touch display

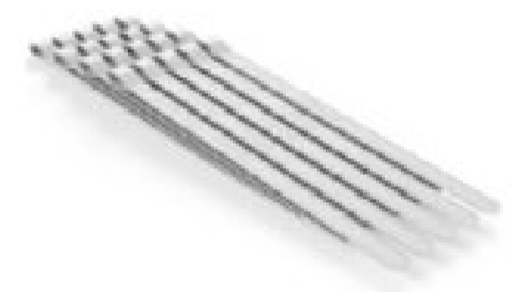
SKU#	
<a href="#">CBL-EC5X-USBC3A-01</a>	USB-C to USB-C Communications and Charging Cable, 1m long; Support 3.0 Superspeed and Fast Charge



This cable is required to connect the KC50 Kiosk Computer to the TD50 display for power, display-out, and touch events. Common USB cables do NOT support the required signals for this connection.

## Release Tool – Release the tamper resistant rear covers on KC50 & TD50

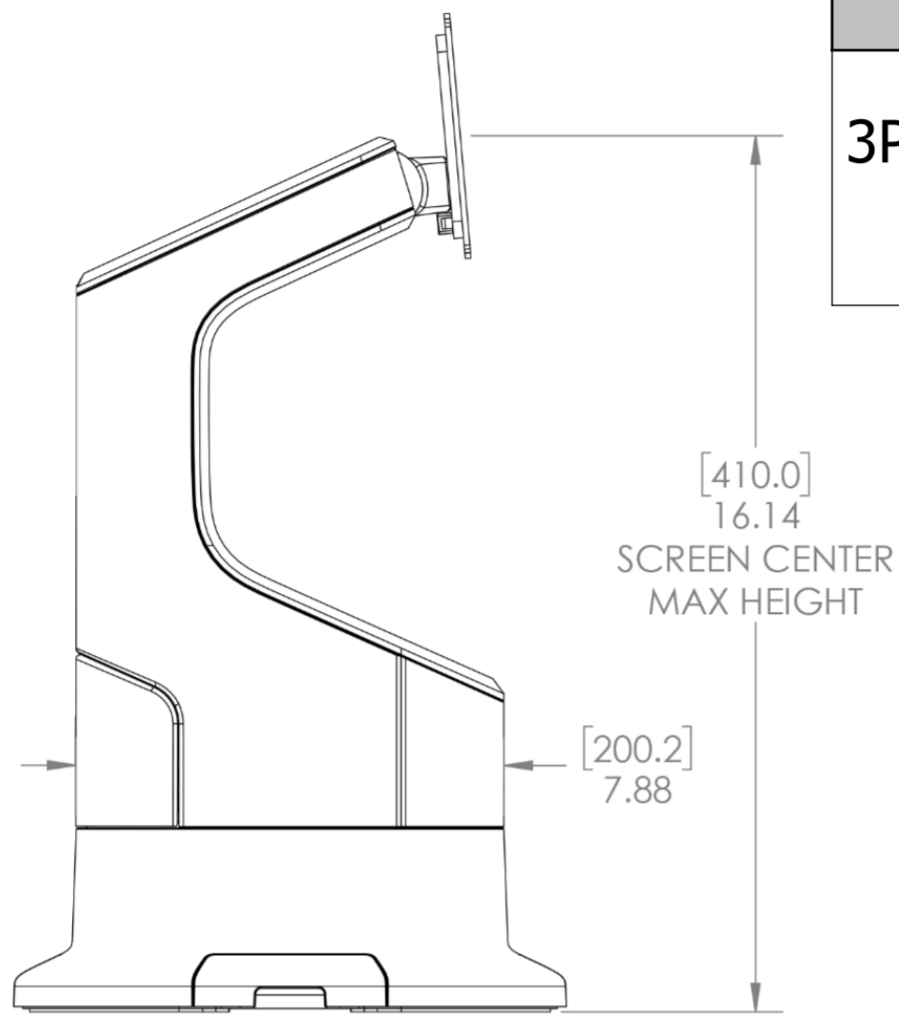
SKU#	
<a href="#">KT-MC18-CKEY-20</a>	Tool to release the rear covers of the KC50 or TD50



# Third Party Accessories for Zebra Kiosk System

Note: Products sold that do not bear the Zebra brand name are serviced and supported exclusively by their manufacturers in accordance with terms and conditions packaged with the products. Zebra's Limited Warranty does not apply to products that are not Zebra branded, even if packaged or sold with Zebra products. Please contact the manufacturer directly for technical support and customer service.

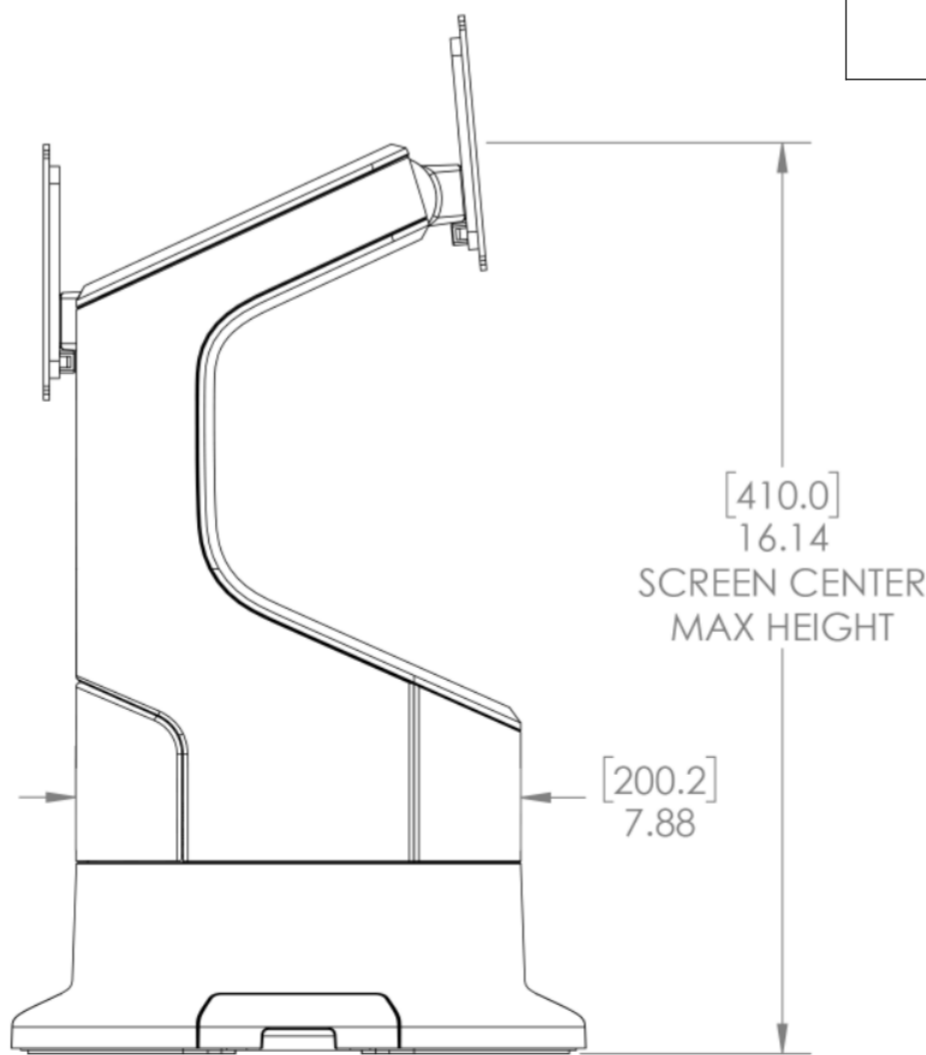
# SC-2000 Countertop Stands



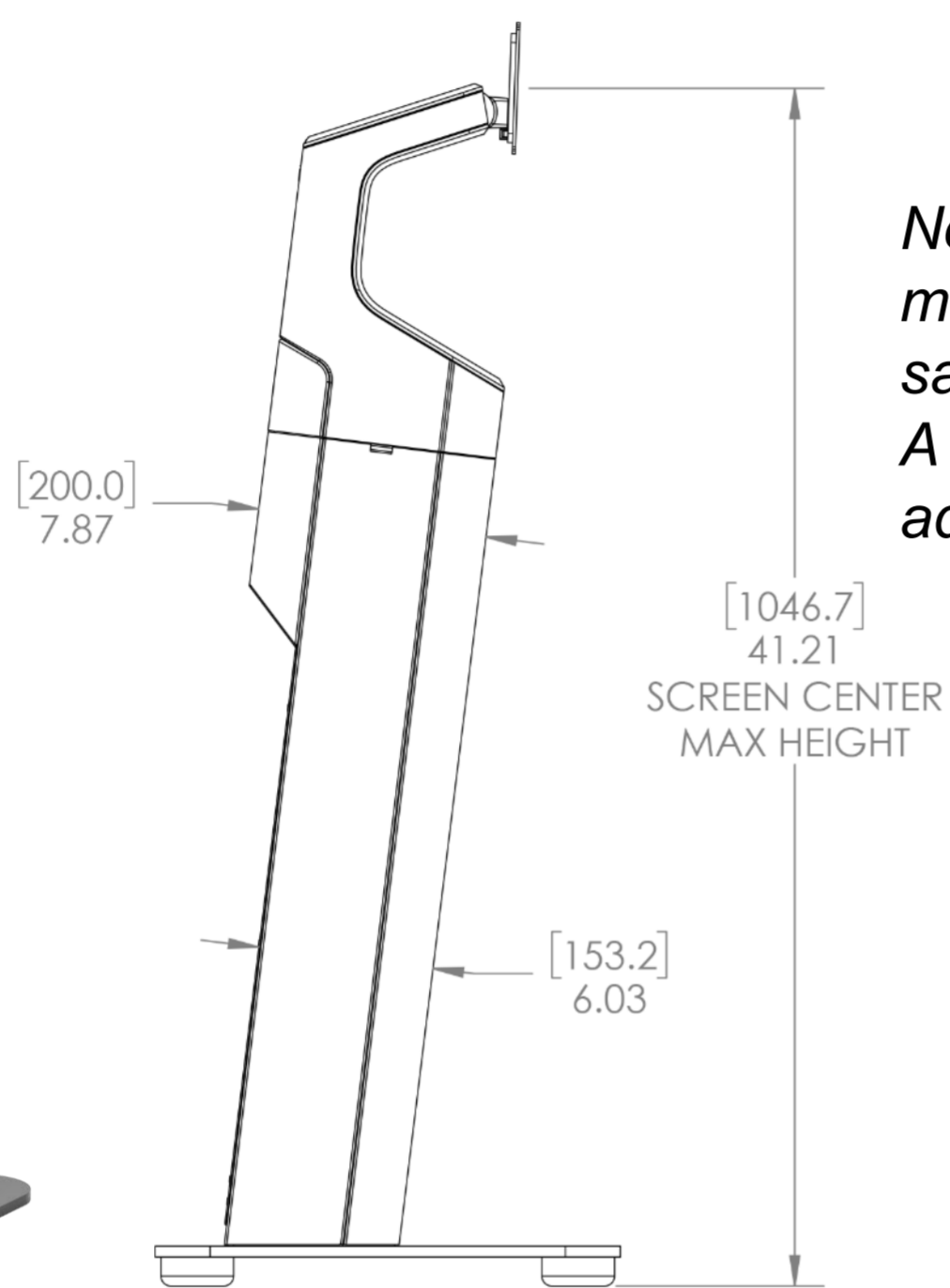
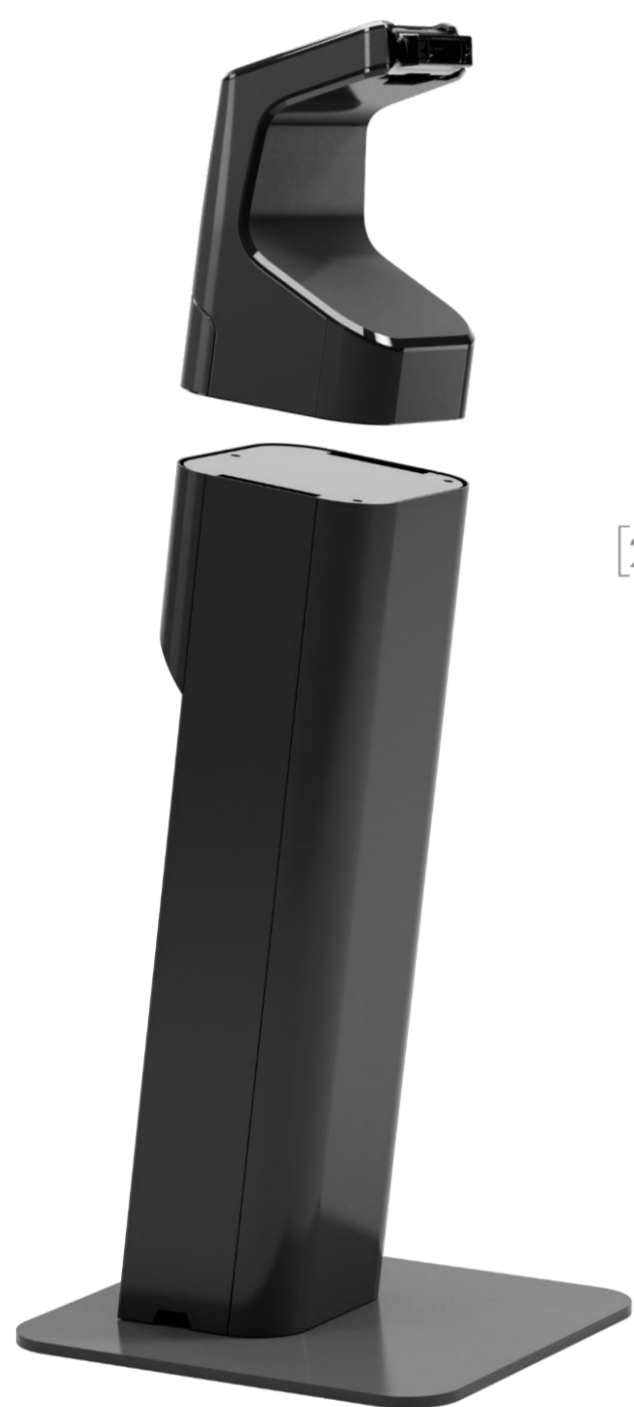
Part #	Description
3PTY-SC-2000-CF1-01	Kiosk Stand, KC50 compatible, Single display mount with countertop height base



Part #	Description
3PTY-SC-2000-CF2-01	Kiosk Stand, KC50 compatible, Dual display mount with countertop height base



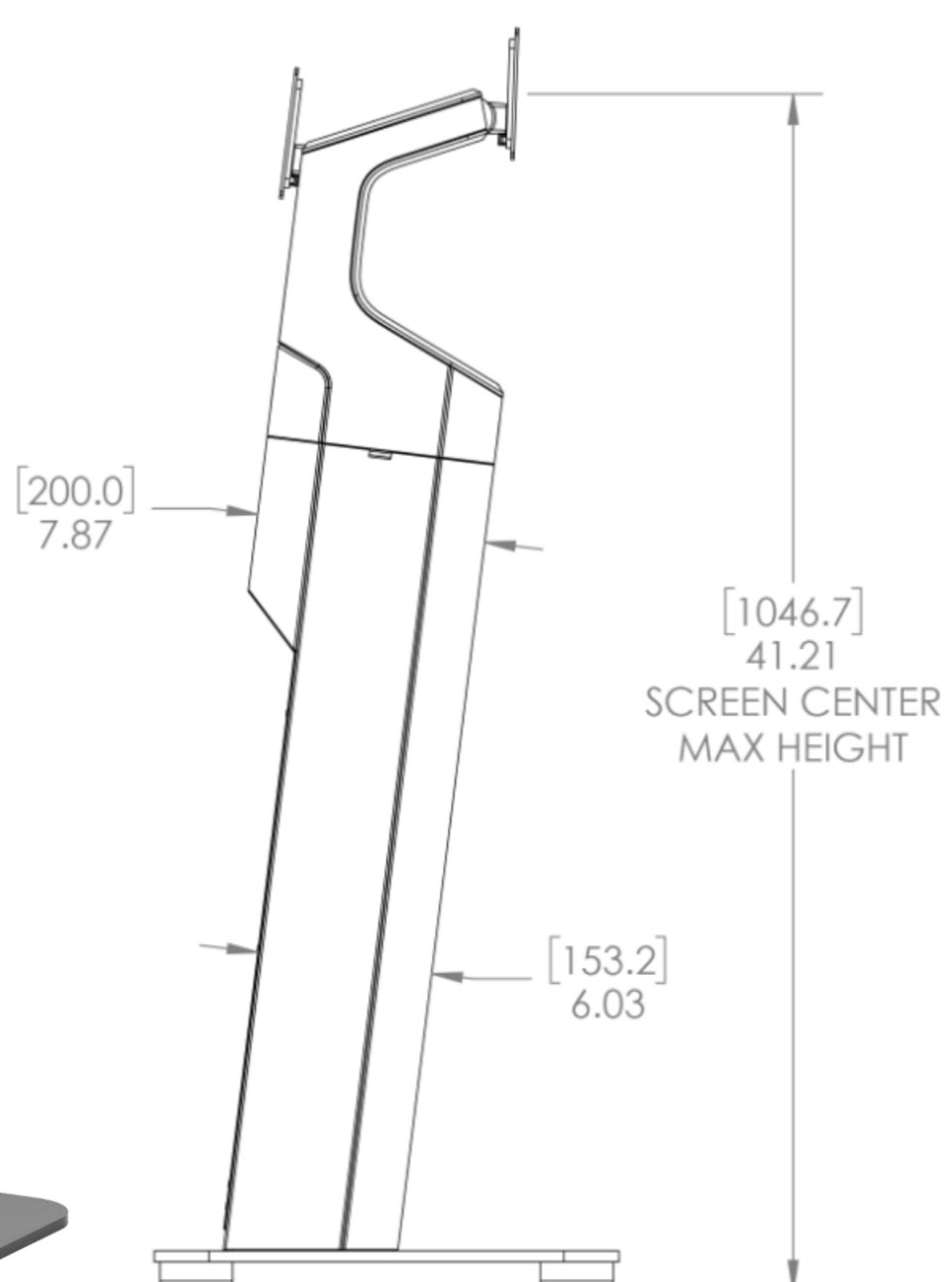
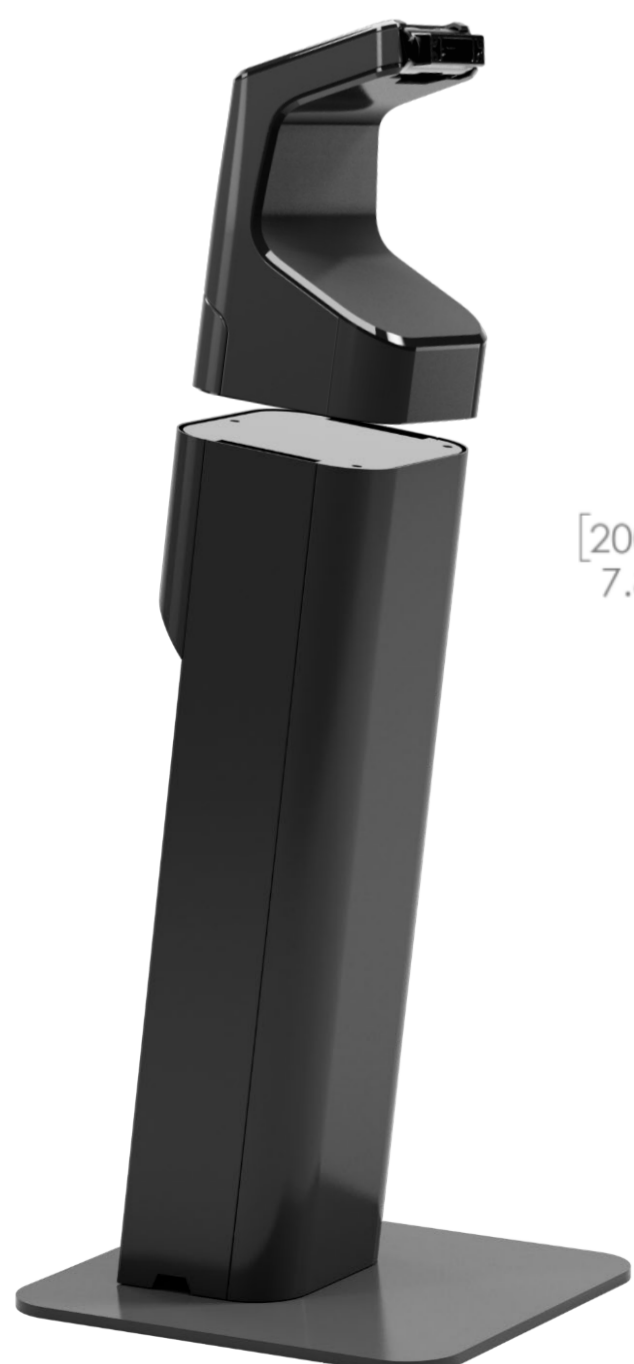
# SC-2000 Floor Stands



Part #	Description
3PTY-SC-2000-PB1-01	Kiosk Stand, KC50 compatible, Single Display mount with pedestal base. Riser or printer box sold separately - required for full height.

*Note: This SKU includes display mount attached at the top in the same box.*

*A riser or printer enclosure may be added for a full height floor stand.*



Part #	Description
3PTY-SC-2000-PB2-01	Kiosk Stand, KC50 compatible, Dual Display mount with pedestal base. Riser or printer box sold separately - required for full height.

*Note: This SKU includes display mount attached at the top in the same box.*

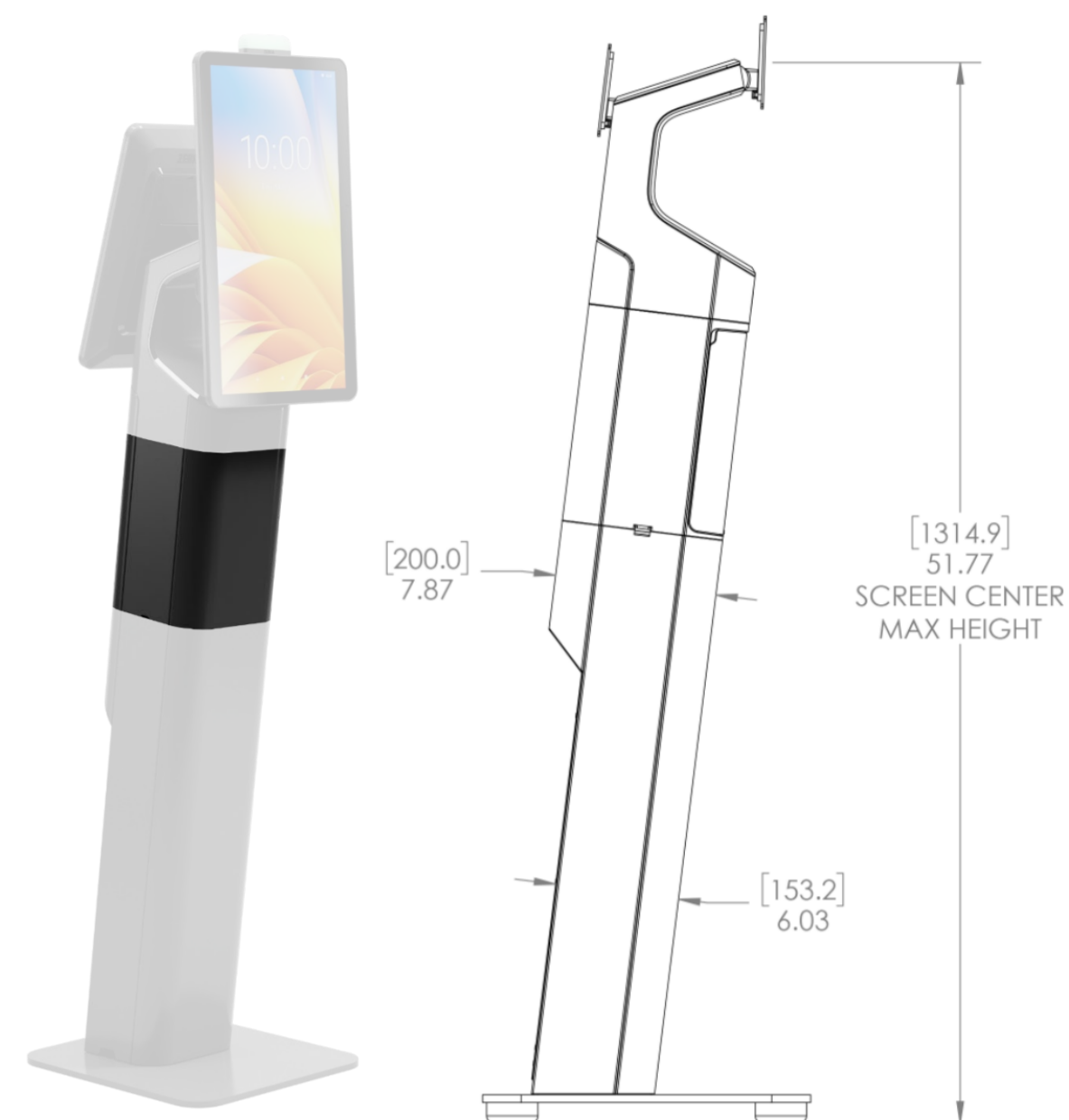
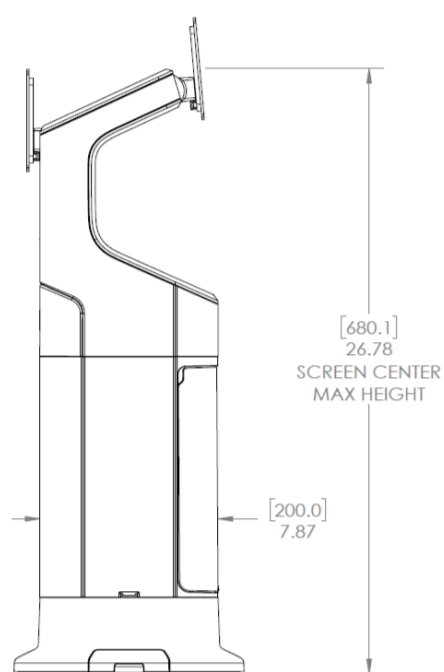
*A riser or printer enclosure may be added for a full height floor stand.*



## SC-2000 Risers & Printer Enclosures

Risers or Printer Enclosures can be added to Countertop or Floor stands to increase the solution to full height.

Part #	Description
3PTY-SC-2000-R1-01	<p>Kiosk Stand Riser, KC50 compatible</p> <p>Riser extends the height of Kiosk Stands with Countertop Base or Pedestal Base. Adds additional 10.6 in (269 mm) height.</p>



Part #	Description
3PTY-SC-2000-PE-02	<p>Kiosk Stand Printer Enclosure, KC50 compatible. Epson TM-88VII compatible</p> <ul style="list-style-type: none"> <li>• Enclosure extends the height of Kiosk Stands with Countertop Base or Pedestal Base.</li> <li>• Adds additional 10.6 in (269 mm) height</li> <li>• Provides storage and access to Epson T-88VII and similar receipt printers.</li> <li>• Door with magnetic latch provides convenient access to printer for paper reloading or maintenance</li> </ul>

The SC2000-PE printer enclosure is compatible with specific receipt printers to enable proper paper exit. Watch for new SKUs accommodating additional printer models.



# SC-2000: Other Accessories

## Payment Terminal Arm

The Payment Terminal mounting bracket attaches to the SC-2000 countertop or floor stands and enables side mounting of common payment terminals. Compatible with KC50 15" and 22", both in portrait or landscape.

An adapter cup for common payment terminals is sold separately by Havis. See: <https://www.havis.com/literature/flexipole-backplates-product-list/>

Part #	Description
3PTY-SC-2000-PA-01	Kiosk Stand Payment Mount Bracket, KC50 compatible.

